

TPB24B3412PX

FEATURES

- Low current consumption
- PCB mounting ,Sealed type
- Wave solderable and washable

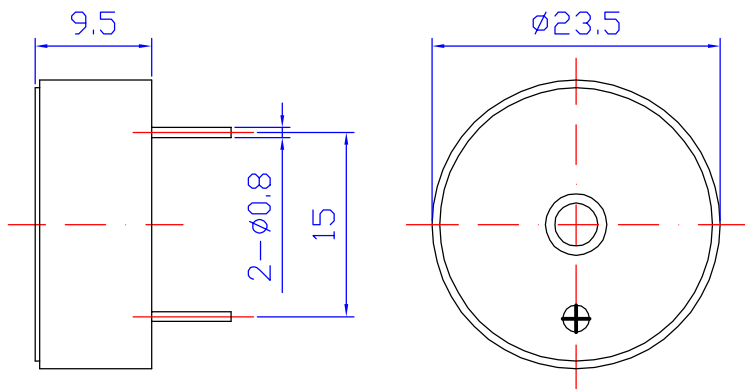
APPLICATIONS

- Various office equipment, home appliances
- Computer and peripherals units

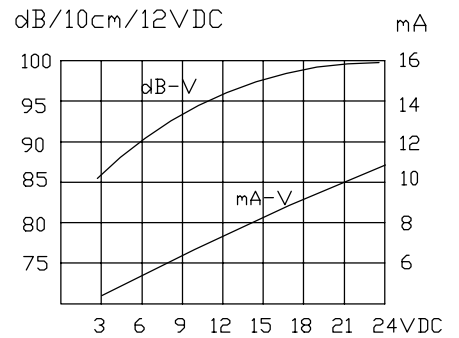


Noryl Housing Material, Black

DIMENSIONS (Unit in mm)



CHARACTERISTICS



SPECIFICATIONS (all data taken at 25 °C unless otherwise specified)

Model Number	Unit	TPB24B3412PX
Rated Voltage	VDC	12
Operating Voltage	VDC	3 ~ 28
*Max. Rated Current	mA	15
*Sound Output @ 10cm	dB	95
Resonant Frequency	Hz	3,400 ± 500
Tone Nature		Continuous
Operating Temperature	°C	-20 ~ +70
Weight	g	4

* Value Applying Rated Voltage, DC