

TPB14A Series

FEATURES

- Mini active device, 5V and 12V available
- Low current consumption
- PCB mounting ,Sealed type
- Wave solderable and washable

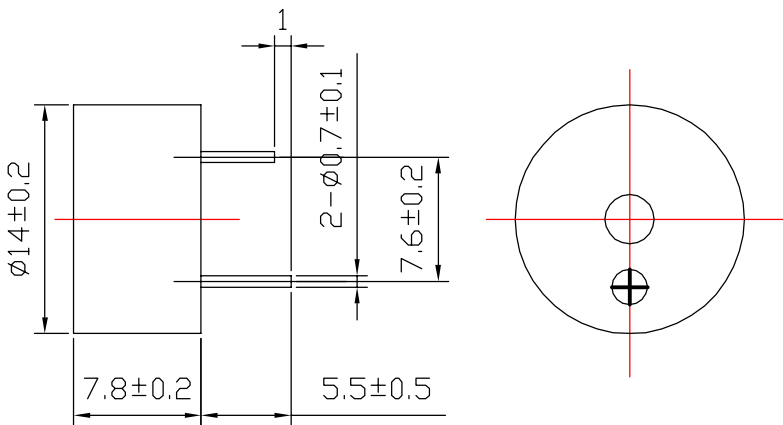


Noryl Housing Material, Black

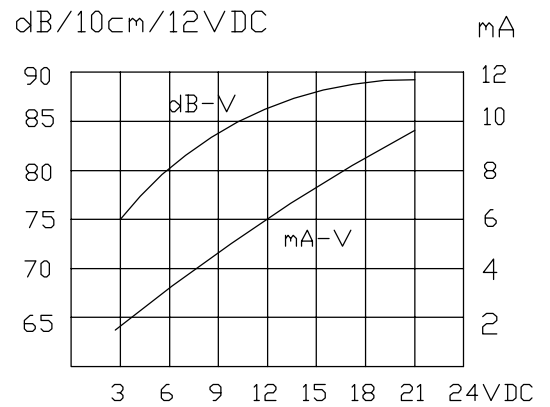
APPLICATIONS

Various office equipment, computer peripherals, home appliances

DIMENSIONS (Unit in mm)



CHARACTERISTICS



SPECIFICATIONS (all data taken at 20 °C unless otherwise specified)

Model Number	Unit	TPB14A4005PX	TPB14A4012PX
Rated Voltage	VDC	5	12
Operating Voltage	VDC	3 ~ 9	3 ~ 18
*Max. Rated Current	mA	8	8
*Sound Output @ 10cm	dB	80	85
Resonant Frequency	Hz	4,000 ± 500	
Tone Nature		Continuous	
Operating Temperature	°C	-20 ~ +70	
Weight	g	1	

* Value Applying Rated Voltage, DC