

TPA14A Series

FEATURES

- Compact size
- Low current consumption
- PCB mounting
- Wave solderable and washable

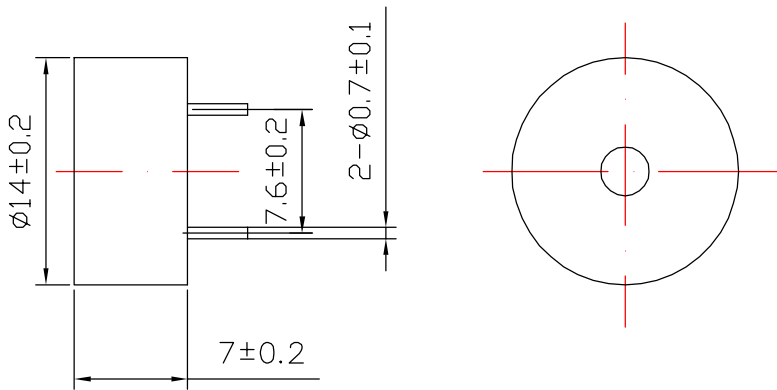
APPLICATIONS

Various office equipment, computer peripherals, home appliances

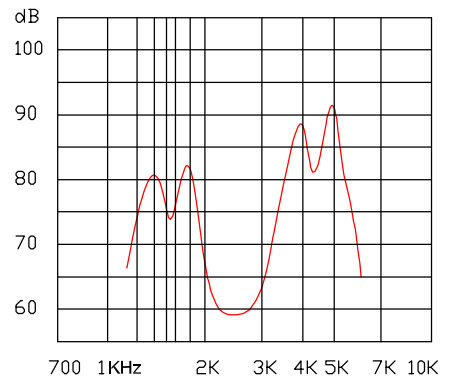


Noryl Housing Material, Black

DIMENSIONS (Unit in mm)



CHARACTERISTICS



SPECIFICATIONS (all data taken at 20 °C unless otherwise specified)

Model Number	Unit	TPA14A4005P	TPA14A4005PX
Rated Voltage	Vp-p	5	5
Operating Voltage	Vp-p	3 ~ 20	3 ~ 20
*Max. Rated Current	mA	2	2
*Sound Output @ 10cm	dB	85	85
Resonant Frequency	Hz	4,000 \pm 500	4,000 \pm 500
Capacitance at 1,000Hz	pF	10000 \pm 30%	10000 \pm 30%
Operating Temperature	°C	-20 ~ +70	-20 ~ +70
Weight	g	1	1

* Value Applying Rated Voltage (Resonant Frequency, 1/2 duty, Square Wave)