

## KT-33MB Series (RoHS)

### FEATURES

- Low pitch sound, medium sound output
- Low current consumption
- Extremely durable, Long life
- Ultra small size, easy to install.

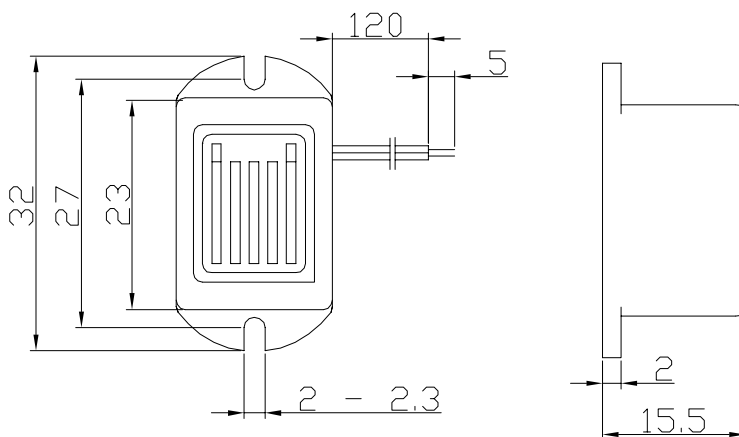


### APPLICATIONS

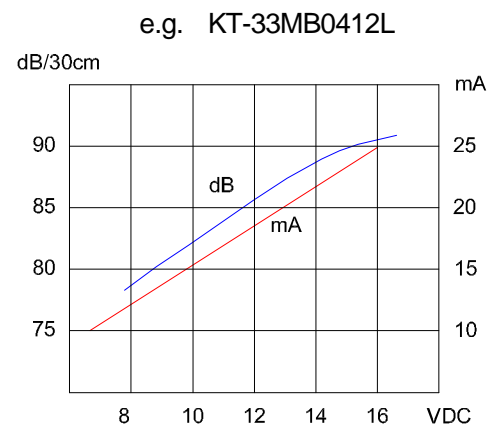
Alarm clock, timer, burglar and fire alarm, portable battery operated equipment, electronic cash register, automobile electronics

ABS Housing Material  
Color: Black

### DIMENSIONS ( unit in mm)



### CHARACTERISTICS



### SPECIFICATIONS (all data taken at 25 °C unless otherwise specified)

Model Number	Unit	KT-33MB 0401LR	KT-33MB 0403LR	KT-33MB 0406LR	KT-33MB 0409LR	KT-33MB 0412LR	KT-33MB 0424LR
Rated Voltage	V	1.5	3	6	9	12	24
Operating Voltage	V	1 ~ 3	2 ~ 4	4 ~ 8	6 ~ 12	9 ~ 15	15 ~ 27
*Rated Current	mA	20		25		30	
*Sound Output @ 30cm	dB	70				75	
Fundamental Frequency	Hz	400 ± 50					
Tone Nature		Continuous					
Operating Temperature	°C	-20 ~ +65					
Weight	g	8					

\* Value applying rated voltage, DC