

KT-32MB Series (RoHS)

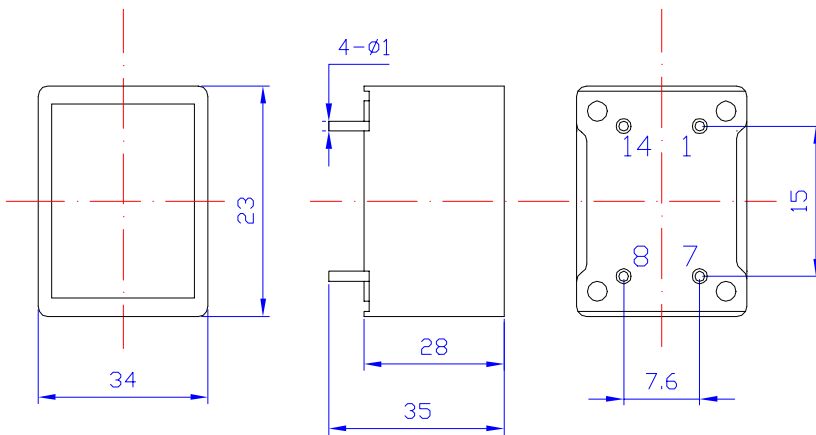
FEATURES

- Low pitch sound, medium sound output
- Low current consumption, trigger control
- Extremely durable, long life
- Ultra small size, easy to install.

APPLICATIONS

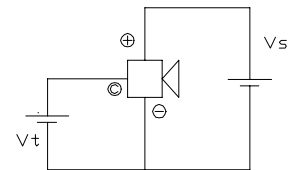
Alarm clock, timer, burglar and fire alarm, portable battery operated equipment, electronic cash register, automobile electronics

DIMENSIONS (unit in mm)



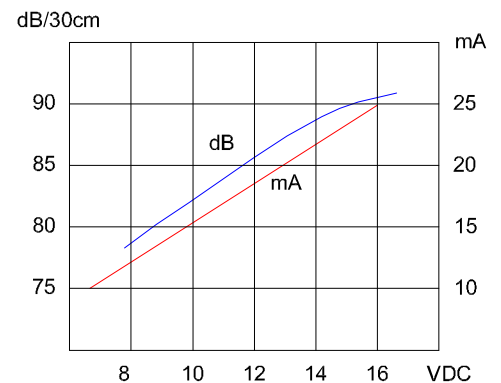
ABS Housing Material
Color: Black or White

COUPLED CIRCUIT



CHARACTERISTICS

e.g. KT-32MB04120P



SPECIFICATIONS (all data taken at 25 °C unless otherwise specified)

Model Number	Unit	KT-32MB 0401PR	KT-32MB 0403PR	KT-32MB 0406PR	KT-32MB 0409PR	KT-32MB 0412PR	KT-32MB 0424PR
Rated Voltage	V	1.5	3	6	9	12	24
Operating Voltage	V	1 ~ 3	2 ~ 4	4 ~ 8	6 ~ 12	9 ~ 15	15 ~ 27
*Rated Current	mA	20		25		30	
*Sound Output @ 30cm	dB	70				75	
Fundamental Frequency	Hz	400 ± 50					
Tone Nature		Continuous					
Operating Temperature	°C	-20 ~ +65					
Weight	g	8					

* Value applying rated voltage, DC