

KT-30MB Series (RoHS)

FEATURES

- Low pitch sound, medium sound output
- Low current consumption
- Extremely durable, Long life
- Ultra small size, easy to install.

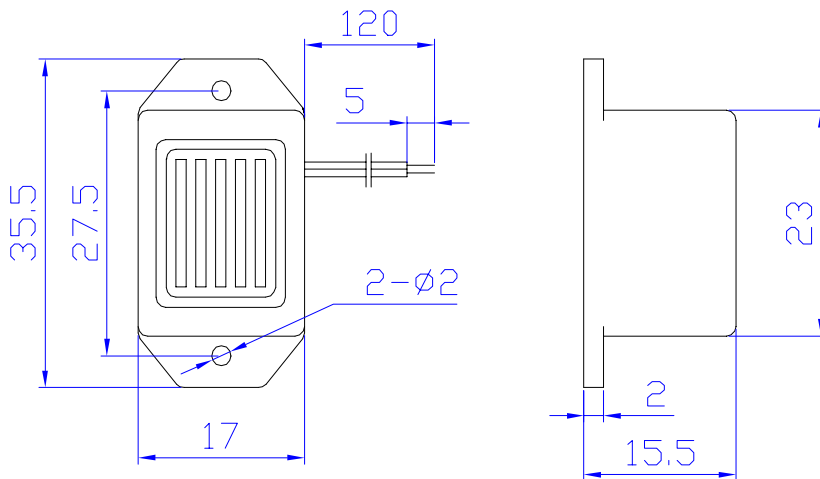


APPLICATIONS

Alarm clock, timer, burglar and fire alarm, portable battery operated equipment, electronic cash register, automobile electronics

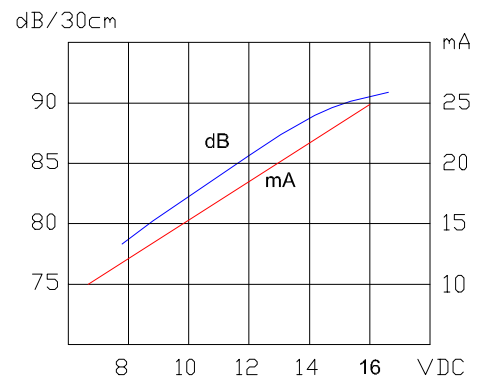
ABS Housing Material
Color: Black or White

DIMENSIONS (unit in mm)



CHARACTERISTICS

e.g. KT-30MB0412L



SPECIFICATIONS (all data taken at 25 °C unless otherwise specified)

Model Number	Unit	KT-30MB 0401LR	KT-30MB 0403LR	KT-30MB 0406LR	KT-30MB 0409LR	KT-30MB 0412LR	KT-30MB 0424LR
Rated Voltage	(V)	1.5	3	6	9	12	24
Operating Voltage	(V)	1 ~ 3	2 ~ 4	4 ~ 8	6 ~ 12	9 ~ 15	15 ~ 27
*Rated Current	(mA)	20		25		30	
*Sound Output @ 30cm	(dB)	70			75		
Fundamental Frequency	(Hz)	400 ± 50					
Tone Nature		Continuous					
Operating Temperature	(°C)	-20 ~ +65					
Weight	(g)	8					

* Value applying rated voltage, DC