

KT-08MB Series (RoHS)

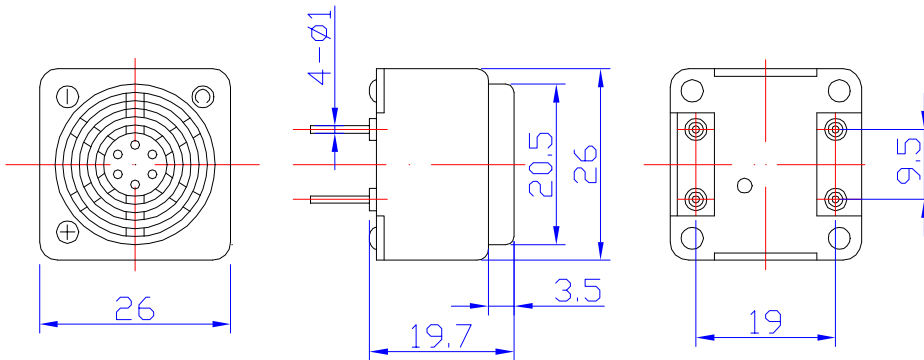
FEATURES

- Low pitch sound, medium sound output
- Low current consumption
- Extremely durable, Long life
- Ultra small size, easy to install.

APPLICATIONS

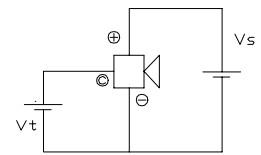
Alarm clock, timer, burglar and fire alarm, portable battery operated equipment, electronic cash register, automobile electronics

DIMENSIONS (unit in mm)

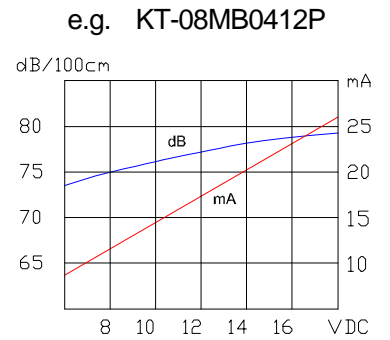


ABS Housing Material
Color: White or Ivory

COUPLED CIRCUIT



CHARACTERISTICS



SPECIFICATIONS (all data taken at 25 °C unless otherwise specified)

Model No.	Unit	KT-08MB0406PR	KT-08MB0412PR	KT-08MB0424PR
Rated Voltage	V	6	12	24
Operating Voltage	V	4 ~ 8	8 ~ 16	20 ~ 28
Min. Trigger Voltage	V	4	8	20
*Max. Rated Current	mA	35		
*Sound Output @ 10cm	dB	95		
*Max. Response Time	ms	400		
Fundamental Frequency	Hz	400±100		
Tone nature		Continuous		
Operating Temperature	°C	-20 ~ +70		
Weight	g	17		

* Value applying rated voltage, DC