

**KT-06MB Series (RoHS)**

**FEATURES**

- Low pitch sound, medium sound output
- Low current consumption
- Extremely durable, Long life
- Ultra small size, easy to install.

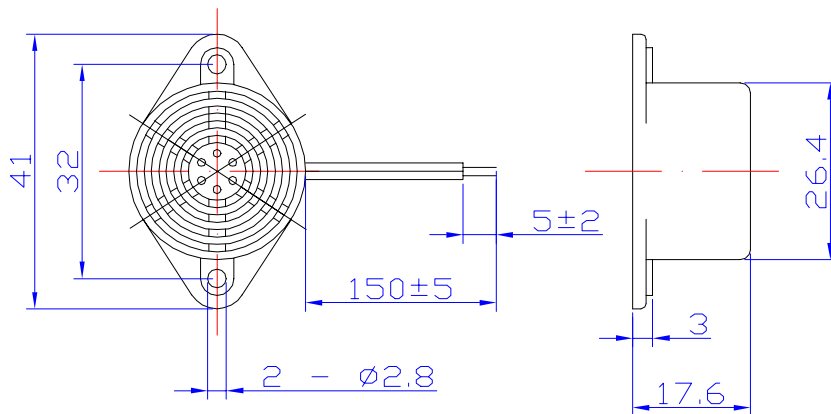


ABS Housing Material  
Color: White

**APPLICATIONS**

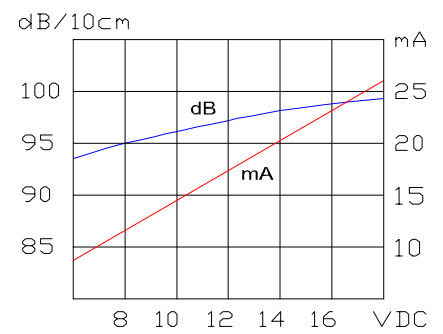
Alarm clock, timer, burglar and fire alarm, portable battery operated equipment, electronic cash register, automobile electronics

**DIMENSIONS ( unit in mm)**



**CHARACTERISTICS**

e.g. KT-06MB0412L



**SPECIFICATIONS (all data taken at 25 °C unless otherwise specified)**

Model No.	Unit	KT-06MB 0406LR	KT-06MB 0412LR	KT-06MB 0424LR	KT-06MB 0448LR
Rated Voltage	V	6	12	24	48
Operating Voltage	V	4 ~ 8	7 ~ 16	20 ~ 28	36 ~ 52
*Max. Rated Current	mA	33	23	21	20
*Sound Output @ 10cm	dB	95			
Fundamental Frequency	Hz	400 ± 100			
Operating Temperature	°C	-20 ~ +70			
Weight	g	17			

\* Value applying rated voltage, DC