

**KT-05MB Series**

**FEATURES**

- Low pitch sound, medium sound output
- Low current consumption
- Extremely durable, Long life
- Ultra small size, easy to install.

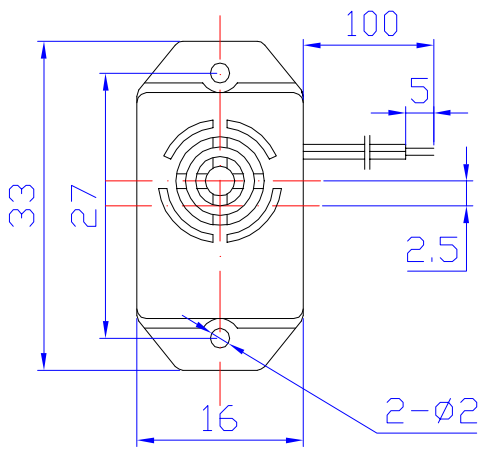
**APPLICATIONS**

Alarm clock, timer, burglar and fire alarm, portable battery operated equipment, electronic cash register, automobile electronics



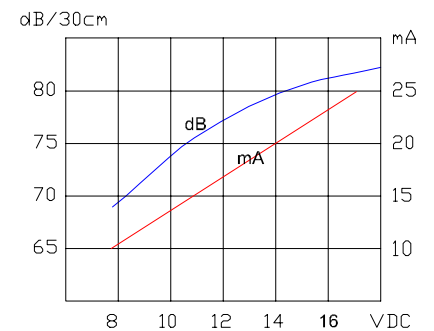
ABS Housing Material  
Color: Grey

**DIMENSIONS ( unit in mm)**



**CHARACTERISTICS**

e.g. KT-05MB0412L



**SPECIFICATIONS (all data taken at 25 °C unless otherwise specified)**

Model No.	Unit	KT-05MB 0401L	KT-05MB 0406L	KT-05MB 0412L	KT-05MB 0424L
Rated Voltage	V	1.5	6	12	24
Operating Voltage	V	1.1 ~ 2	3 ~ 7	8 ~16	18 ~ 30
*Max. Rated Current	mA	15	20	12	14
*Sound Output @ 30cm	dB	70			
Fundamental Frequency	Hz	400 ± 100			
Operating Temperature	°C	-20 ~ +70			
Weight	g	10			

\* Value applying rated voltage, DC